



Plate cooler Serie S

Bolted

OKR 1240

Generally

The plate cooler with removable plates consists of:

- the frame
- the plate package
- the connections
- the tense parts

The package consists of a plate, the thermodynamic performance corresponding number of plates profiled that are assembled in a single frame into a compact.

Function

Each plate is equipped with a seal that is inserted into a groove. This seal ensures sealing both externally as well as the media themselves. On the heat-exchanging media flow through the plate cooler involved in counter flow.

Flexibility

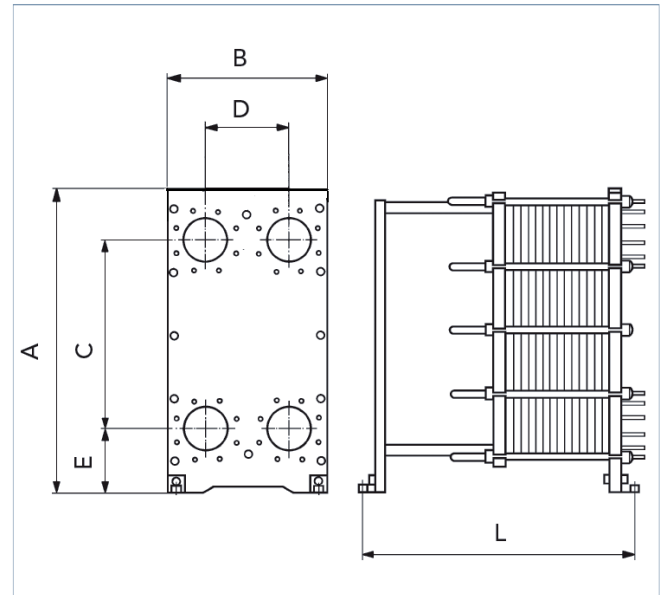
The design of the plate cooler allows easy opening of the appliance. Thus it can be easily cleaned. Next, it is possible through the plate cooler, add or remove panels adapt to changing operating conditions.

Max. Operating Pressure

Standard 10 bar or 16 bar.
Other operating pressures on inquiry.

Operating Temperature

Up to 150°C



Test pressure

21 bar

Tiling- and Gasket Materials

Standard-Plattes: AISI 316 (No. 1.4401), AISI 304
Special materials: Titan, Hastelloy
Seals: NBR, EPDM, FPM

Other materials on request.
Other plate sizes on request.

Type	Frame type	Dimensions in mm					L		Connection Medium side
		A	B	C	D	E	min.	max.	
S 14	ST-IG	896	283	694	126	130	437	637	2" BSP
S 7 A	ST-IG	596	283	394	126	130	437	637	2" BSP
S 20 A	ST-IG	1096	283	894	126	130	437	637	2" BSP
S 9 A	IG	626	395	380	192	132	438	638	DN 65
S 19 A	IG	946	395	700	192	132	438	638	DN 65
S 31 A	IG	1296	395	1050	192	132	438	638	DN 65
S 21	ST-IG	1069	480	719	225	200	634	4044	DN 100
S 47	ST-IG	1715	480	1365	225	200	634	4044	DN 100
S 64	ST-IG	2121	480	1771	225	200	634	4044	DN 100
S 41	IS	1450	608	890	296	275	700	4100	DN 150
S 62	IS	1852	608	1292	296	275	700	4100	DN 150
S 86	IS	2254	608	1694	296	275	700	4100	DN 150
S 110	IS	2654	508	2094	296	275	700	4100	DN 150

OKR 1240 - 26.10.2010 io

OLAER (SCHWEIZ) AG
Bonnstrasse 3, CH - 3186 Dürdingen
Tel. 026 492 70 00, Fax 026 492 70 70
info@olaer.ch
www.olaer.ch

OLAER Austria GmbH
Wachtelstrasse 25, A - 4053 Haid
Tel. +43 7229 803 06, Fax +43 7229 803 06 21
info@olaer.at
www.olaer.at

OLAER CZ s.r.o.
Vídenská 125, CZ - 61900 Brno
Tel. +420 547 125 601 11, Fax +420 547 125 600
info@olaer.cz
www.olaer.cz

OLAER (SCHWEIZ) AG
Magyarországi Fióktelepe
Sugár út 5/1 H - 2500 Esztergom
Tel. +36 (70) 943 8114, Fax +36 (33) 319 954
zsolt.spendel@olaer.hu www.olaer.hu